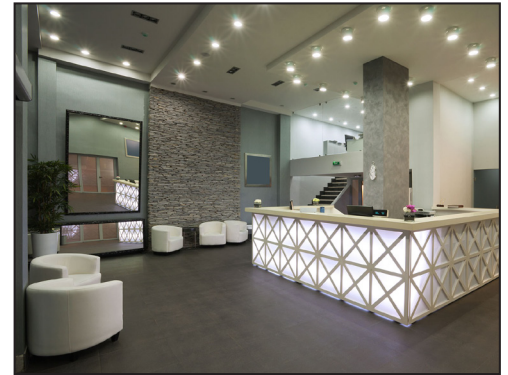


Advantages

- Replacing traditional 8" CFL, HID or incandescent commercial downlights
- Ideal design of thermal solution, with long lifespan 35,000hrs
- 0-10V dimming solution
- Optional for various CCT
- UL and Energy Star certified

Recommended Applications

Ideal for retrofit applications like hotel lobby, shopping center, supermarkets, recreation center, public area, corridors, offices, reception areas, schools, hospitals, retail environments etc.



Specification

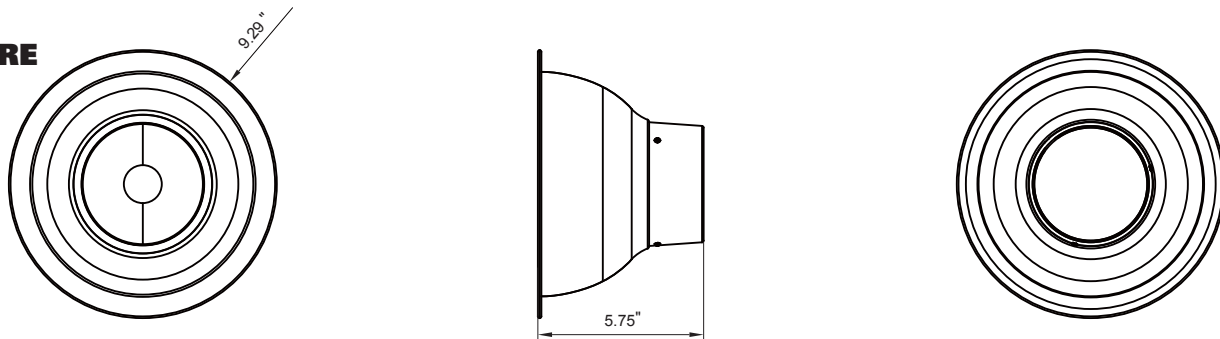
Model Number	Input Voltage	Wattage	Color	Lumens	Lumens Per Watt	CRI	Power Factor	Dimmable	Certificate
ED-DL8-25W277-XKD	100-277VAC	25W	3000K	1700	68	80	0.9	0-10V Dimmable	UL/Energy Star
ED-DL8-25W277-XKD	100-277VAC	25W	4000K	1700	68	80	0.9	0-10V Dimmable	UL/Energy Star
ED-DL8-25W277-XKD	100-277VAC	25W	5000K	1700	68	80	0.9	0-10V Dimmable	UL/Energy Star
ED-DL8-35W277-XKD	100-277VAC	35W	3000K	3000	86	80	0.9	0-10V Dimmable	UL/Energy Star
ED-DL8-35W277-XKD	100-277VAC	35W	4000K	3000	86	80	0.9	0-10V Dimmable	UL/Energy Star
ED-DL8-35W277-XKD	100-277VAC	35W	5000K	3000	86	80	0.9	0-10V Dimmable	UL/Energy Star
ED-DL8-45W277-XKD	100-277VAC	45W	3000K	3400	76	80	0.9	0-10V Dimmable	UL/Energy Star
ED-DL8-45W277-XKD	100-277VAC	45W	4000K	3400	76	80	0.9	0-10V Dimmable	UL/Energy Star
ED-DL8-45W277-XKD	100-277VAC	45W	5000K	3400	76	80	0.9	0-10V Dimmable	UL/Energy Star

1. CCT range complies to ANSI C78.377-2011
2. Rated average life based on engineering testing and probability analysis
3. Lifetime test consistent with IESNA LM80 lumens maintenance produce

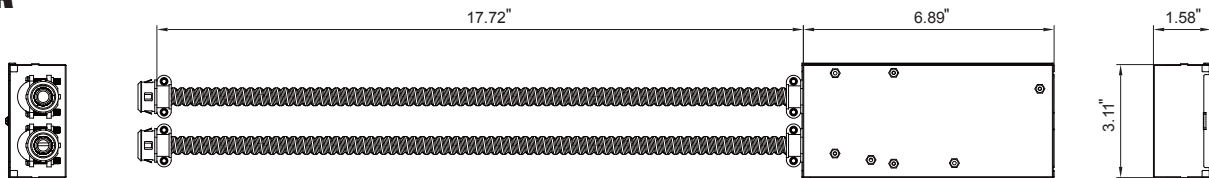
Dimensions

Fixture Dimensions (in)	Driver Dimensions (in)	Net Weight with Driver	Units/Carton	Carton Dimension (in)	Carton Weight
ø9.29" x 5.75"	24.61" x 3.11" x 1.58"	1.5kg / 3.31lbs	2	25.2 x 13.8 x 8.3	11.8kg / 26.01lbs

FIXTURE



DRIVER



Ordering Guide

ED	/	DL	/	8	/	25W/35W/45W	/	277	/	3K/4K/5K	/	D
Company Code		Fixture Type		Size		Wattage		Voltage		Color		Dimmable

Example - ED-DL8-25W277-5KD

Company	Product	Size	Wattage	Voltage	Color	Dimmable
ED Energy Dynamics	DL Downlight	8 8Inch	25W 25watts 35W 35watts 45W 45watts	277 100-277VAC	3K 3000K 4K 4000K 5K 5000K	D 0-10V Dimmable

Notice For User

- These fixtures must be installed by a licensed electrician.
- Turn off power before installing or changing fixture and or assembly parts.
- The Retrofit Kits input voltage has to be within the same range as the line voltage in the fixture.

Troubleshooting

Symptom	Recommendation
Flickering of the lamps	Turn off the power and turn on again in 3 minutes. If same phenomena occurs, then call customer service.
Lamp not turning on	Check the wiring connections.

Warranty

This product has a warranty period of 5 years from date of purchase. The warranty is invalid in the case of improper use, improper installation, tampering, removal of the Q.C. date label, installation in an improper working environment or installation not according to the current edition of the National Electric Code. Should this product fail during warranty period it will be replaced free of charge, subject return of the faulty unit. Energy Dynamics does not accept responsibility for any installation costs associated with the replacement of the product. Energy Dynamics reserve the right to alter specification without prior notice.