

Performance Summary

- Philips Lumileds LED, high efficiency and 50,000 hours life span
- High efficiency LED Driver, with wide range input voltage 100-277VAC
- Cast Aluminium cooling design, superior light quality, LED Tj<85°C
- Excellent Optics design
- Photocell Control Available (Optional)

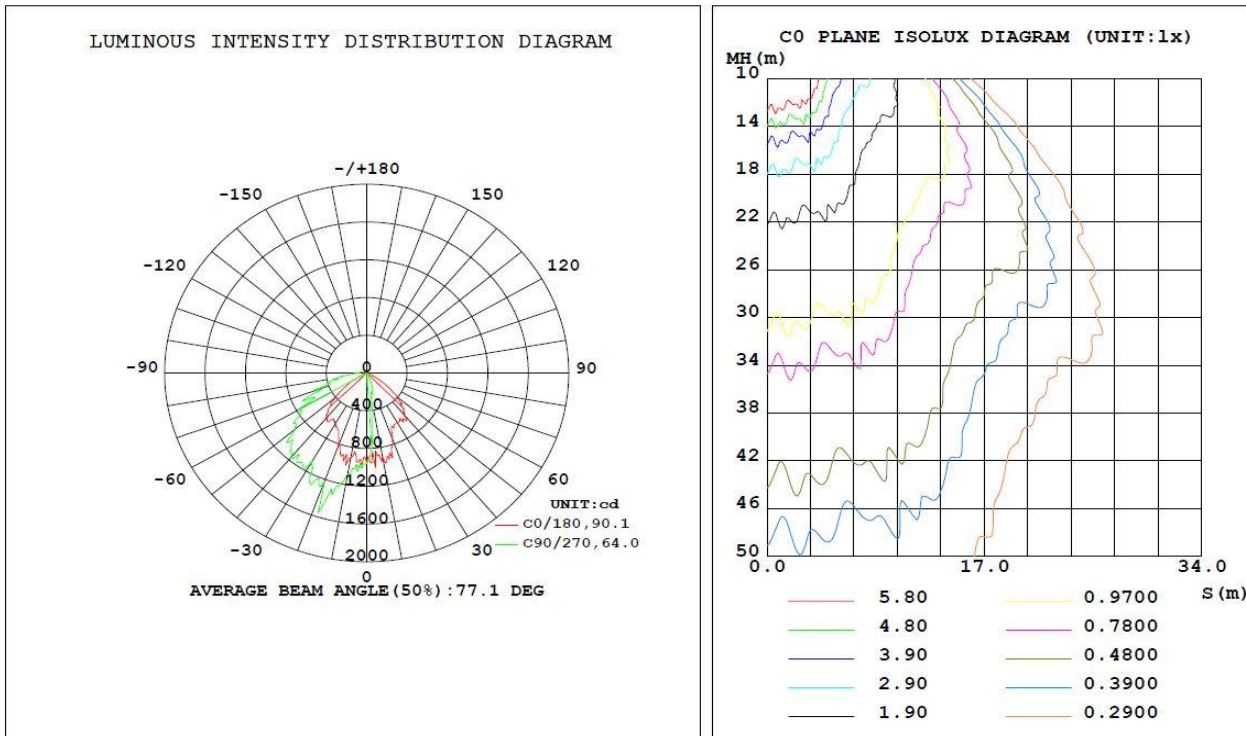
Recommended Applications

Endless LED Mini Wall Mount lighting series can be widely used indoor or outdoor settings mechanical or electronic processing workshop, storage warehouse, steel mills, gas station, toll booths such as Indoor parking, gas station, stairwells, passageways, toll booths, waiting rooms, and more.



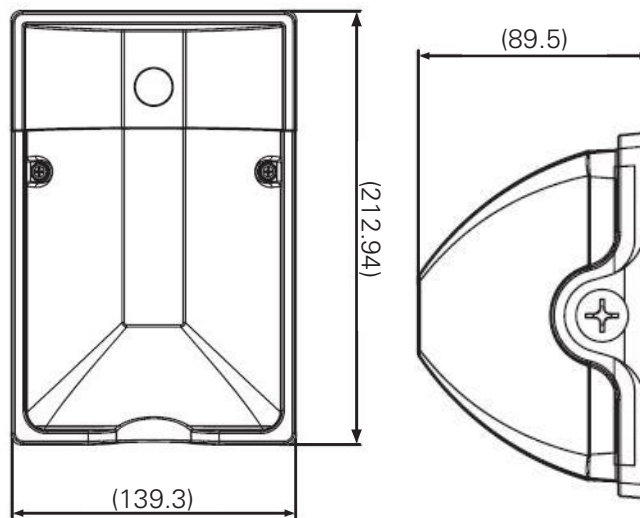
Product Code:	EDMWM-25W277-XKX		
Rated Power	25W	Lighting Angle	60° x 90°
Luminous Flux	2200 lm	Lumens Per Watt	88 lm
Input Voltage	100-277VAC	LED Brightness Decay	<5%/6000 hrs
Power Factor	>0.95	Driver Efficiency	>90%
CRI	Ra>80	Life Span	50,000hrs
Color Temperature	3000K / 4000K / 5000K	Protection Level	Wet Location/IP65
Cable	3 Core, 18AWG inside	Turn-on Light Level	10-20Lux
Turn-off Light Level	30-60Lux	Action Time	5-20sec
Electrical Life	>5,000 cycles	Working Temperature	-30°C to 45°C
Storage Temperature	-40°C to 80°C	Shell Material	Aluminum + PC
Shell Color	Black, White	Fixture Lens	Clear

Luminous Intensity Distribution



Dimensions

Fixture Dimensions (mm)	Net Weight	Units/Carton	Carton Dimension (mm)	Carton Weight
212.94x139.3x89.5	1.5kg/3.31lbs	12	495x455x210	15.10kg/33.2lbs



Ordering Guide

ED	/	MWM	/	25W	/	277	/	3K/4K/5K	/	P/N
Company Code		Fixture Type		Wattage		Voltage		Color		Dimmable

Example - EDMWM-25W277-5KP

Company	Product	Wattage	Voltage	Color	Photocell
ED Energy Dynamics	MWM Mini Wall Mount	25W 25watts	277 100-277VAC	3K 3000K 4K 4000K 5K 5000K	P Photocell Control N No Photocell Control

Notice For Users

- These fixtures must be installed by a licensed electrician.
- Turn off power before installing or changing fixture and or assembly parts.
- The facility input voltage has to be within the same range as the line voltage of the fixture.

Warranty

This product has a warranty period of 5 years from date of purchase. The warranty is invalid in case of improper use, improper installation, tampering, removal of the Q.C. date label, installation in an improper working environment or installation not according to the current edition of the National Electric Code. Should this product fail during warranty period it will be replaced free of charge, subject to return of the faulty unit. Energy Dynamics does not accept responsibility for any installation costs associated with the replacement of the product. Energy Dynamics reserve the right to alter specification without prior notice.