









## Advantages

- Quick and simple screw in installation
- Replace Fluorescent, Metal Halide, HID and Halogen Bulbs.
- Application: Hi-Bay and Low-Bay, wallpacks, bollards, street lights and more.
- Indoor and outdoor applications.
- Rated 50,000 hours - lasting up to 15 years.
- 5 year mfg. warranty.
- IP65 Rated - For Outdoor Use.

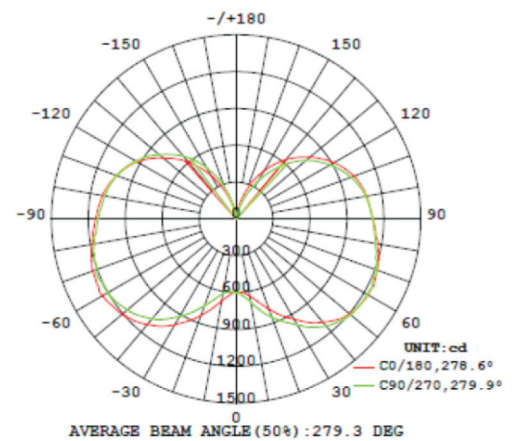
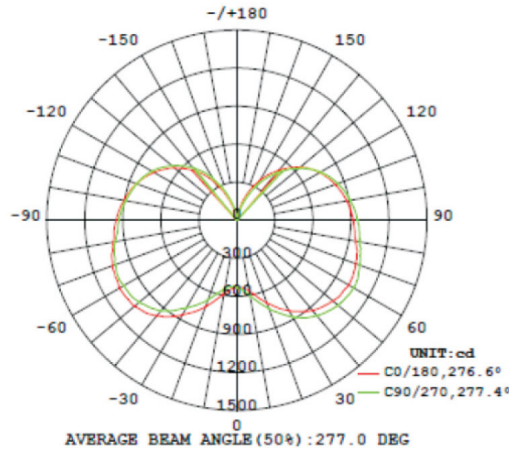
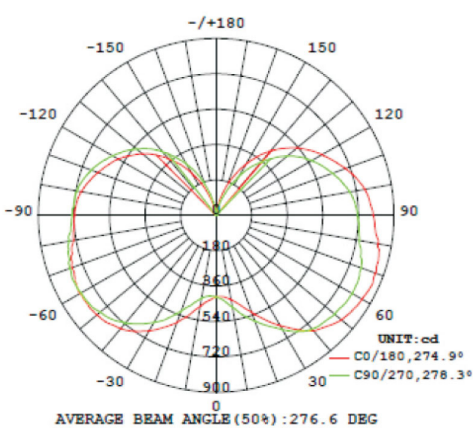
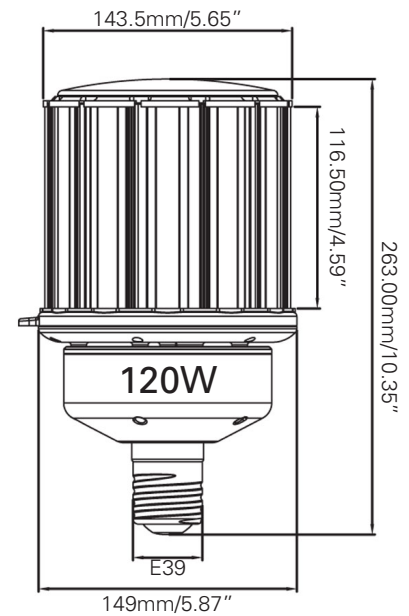
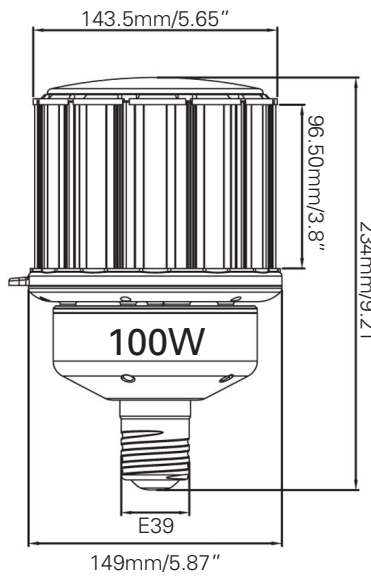
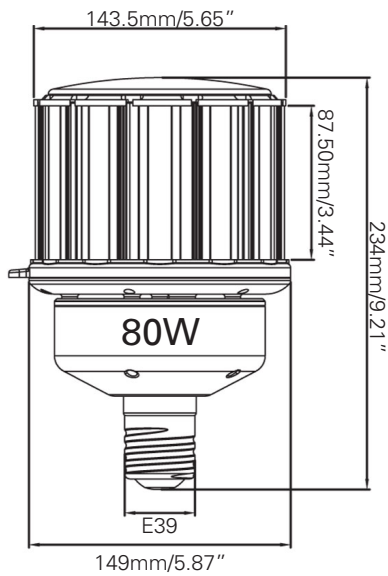


## Specification

	ED-CB-360-80W-XK-WR-W	ED-CB-360-100W-XK-WR-W	ED-CB-360-120W-XK-WR-W
Rated Power	80W	100W	120W
Input Voltage	100-277VAC 50-60Hz		
LED light source	Samsung		
LED Qty	120pcs	180pcs	240pcs
Luminous Flux	9600lm±420	12,000lm±525	14,400lm±630
Lumens Per Watt	120lm	120lm	120lm
Color Temperature	3000K, 4000K, 5000K		
CRI	Ra>80		
Power Factor	>0.9		
Working Temp	-20°C ~ 50°C		
Storage Temp	-40°C ~ 80°C		
Beam Angle	360°		
IP Rating	IP65		
Life Span	50,000hrs		
Certificates and Qualification	       		
Base Type	E39		
Lamp Head Color	White or Customized Color		

## Dimension

	Bulb Dimension (mm)	Net Weight	Units/Carton	Carton Dimension (mm)	Carton Weight
ED-CB-360-80W-5K-WR-W	Φ143.5x235	3.4lbs/1540g	4	385x385x320	17.1lbs /7.76kg
ED-CB-360-100W-5K-WR-W	Φ143.5x280	3.5lbs/1600g	4	385x385x330	17.81lbs/8.1kg
ED-CB-360-120W-5K-WR-W	Φ143.5x324	3.7lbs/1690g	4	385x385x350	18.5lbs/8.4kg



## Installation



## Ordering Guide

ED	CB	360	80W/100W/120W	3K/4K/5K	WR	W
Company Code	Fixture Type	Beam Angle	Wattage	Color	Water Resistant	Wide

## Warranty

This product has a warranty period of 5 years from date of purchase. The warranty is invalid in the case of improper use, improper installation, tampering, removal of the Q.C. date label, installation in an improper working environment or installation not according to the current edition of the National Electric Code. Should this product fail during warranty period it will be replaced free of charge, subject return of the faulty unit. Energy Dynamics does not accept responsibility for any installation costs associated with the replacement of the product. Energy Dynamics reserve the right to alter specification without prior notice.